



Super Pump® 700

»»» Medium-Head Pump Series

THE INDUSTRY'S FAVORITE POOL PUMP,
NOW WITH AN ADVANCED TEFC MOTOR

LONG-LASTING PERFORMANCE FOR POOLS OF ALL SIZES.

Hayward® Super Pump® already sets the industry standard for excellence and value, and the new Super Pump 700 is upgraded with an exclusive totally enclosed fan-cooled (TEFC) motor for added reliability. The TEFC motor also provides a top-mount wiring compartment that makes installation faster and easier than ever. Complete with a chemical-resistant Viton® seal backed by a 2-year warranty, Super Pump 700 resists corrosion to stay in top condition season after season. It's everything you love about Super Pump, now with unparalleled performance.

Top-mount wiring compartment and updated motor design provide up to 5" of extra space for hassle-free installation in small pool pads

Totally enclosed fan-cooled (TEFC) motor ensures long-lasting performance and uniform heat dissipation

Chemical-resistant Viton seal offers powerful corrosion protection



EXPERT LINE
ONLY FROM POOL PROS

See-through strainer cover is easy to remove and lets you see when the basket needs cleaning

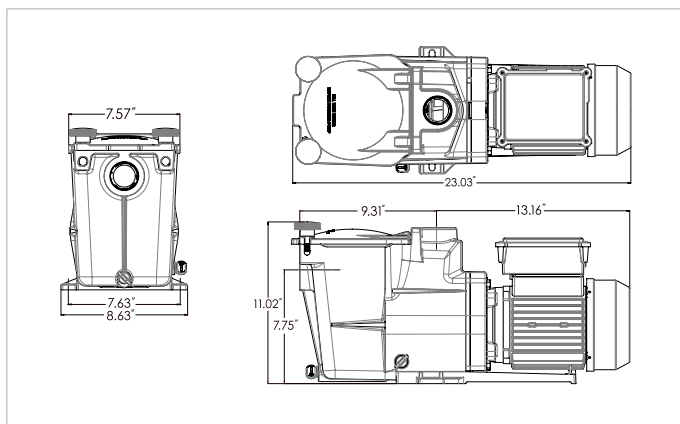
Extra-large debris basket provides added leaf-holding capacity for less frequent maintenance

Wing nut drain plug is easy to open and close for winterizing

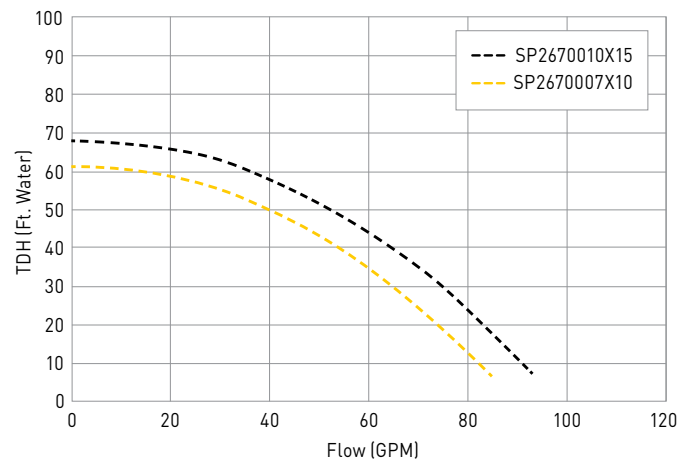
SPECIFICATIONS

MODEL NUMBER	HORSEPOWER		SERVICE FACTOR	PORT SIZE	WARRANTY
	TOTAL HP	RATED HP			
SP2670007X10	1.10	1	1.10	1½ in	2 years
SP2670010X15	1.50	1.50	1.00	1½ in	2 years

SUPER PUMP 700 DIMENSIONS (INCHES)



SUPER PUMP 700 FLOW VS. TOTAL HEAD



IMPORTANT NOTE: Pumps and replacement motors that are single speed and one (1) TOTAL HP or greater cannot be sold, offered for sale, or installed in a residential pool for filtration use in California, Title 20 CCR sections 1601-1609.

Super Pump 700 pumps are listed by:

» hayward.com » 1-888-HAYWARD | Pumps » Filters » Heating » Cleaners » Sanitization » Automation » Lighting » Water Features » White Goods

Hayward, Hayward & Design, the H logo and Super Pump are registered trademarks of Hayward Industries, Inc. All other trademarks not owned by Hayward are the property of their respective owners. Hayward is not in any way affiliated with or endorsed by those third parties. © 2019 Hayward Industries, Inc.

DLITSP70019